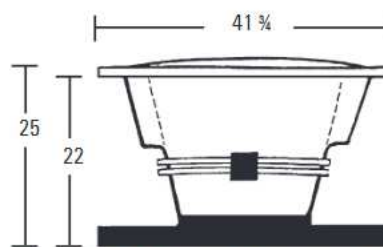
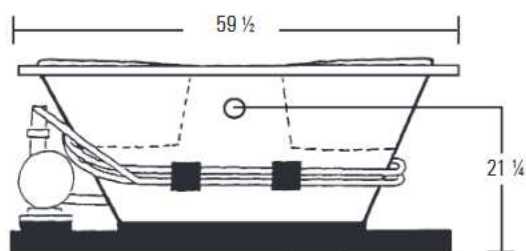
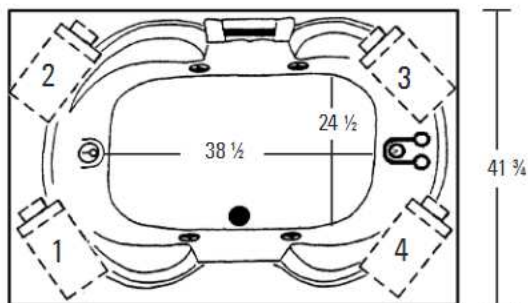


MENDOCINO

59 ½ 41 ¾ x 25 (1510 x 1060 x 635)
inches (mm)



Note: Tub Only units do not come standard with the Pre-leveled ABS Support Base.

FEATURES lbs (kg) Dimensional Tolerance ± 3/8". Dimensions needed for site preparation should be measured from the unit. Aquatic assumes no responsibility for preparatory work.

Type and Model #	Material	Jets	Pump	Heater	Controls	Drain	Pkg. Wt.
Soaker #A16042CLTO	Acrylic	0	-	-	-	Center Front	130 (59)
Whirlpool #A16042CL	Acrylic	8	1.75 HP	1.5 kw Inline (optional)	Electronic on/off	Center Front	180 (82)

DIMENSIONS inches (mm)

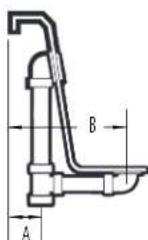
Width Overall / Net	Depth Overall / Net	Height Overall / Net	Skirt Height
59 ½ (1510)	41 ¾ (1060)	25 (635)	-

SUMP DATA inches (mm)

Capacity to Overflow gal (ltr)	Min. Operating Capacity gal (ltr)	WIDTH @ centerline		DEPTH @ centerline	
		Top	Bottom	Top	Bottom
90 (2285)	70 (265)	52 (1320)	41 ½ (1055)	29 ¼ (745)	27 (685)

PLUMBING DIMENSIONS inches (mm)

A	B
5 ¼ (130)	11 ¾ (300)



ELECTRICAL DATA

Component	Specification	Requirement
Pump	1.75 HP; 12 AMP; 110 V	15 AMP; 110V, separate circuit; Class A GFCI
Optional Heater	1.5 kW; 12.5 AMP; 110 V	15 AMP; 110V, separate circuit; Class A GFCI

NOTES:

1) Where applicable, utilize cut-out templates packed with unit for deck cutouts.

2) 16 x 20 (405 x 510) minimum access required at pump/blower location(s).